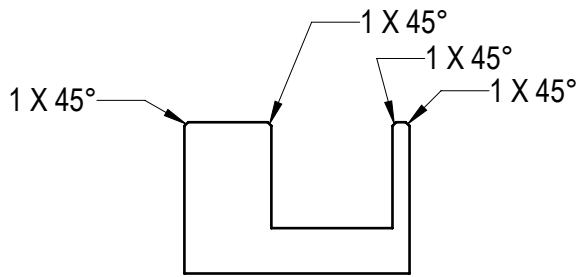
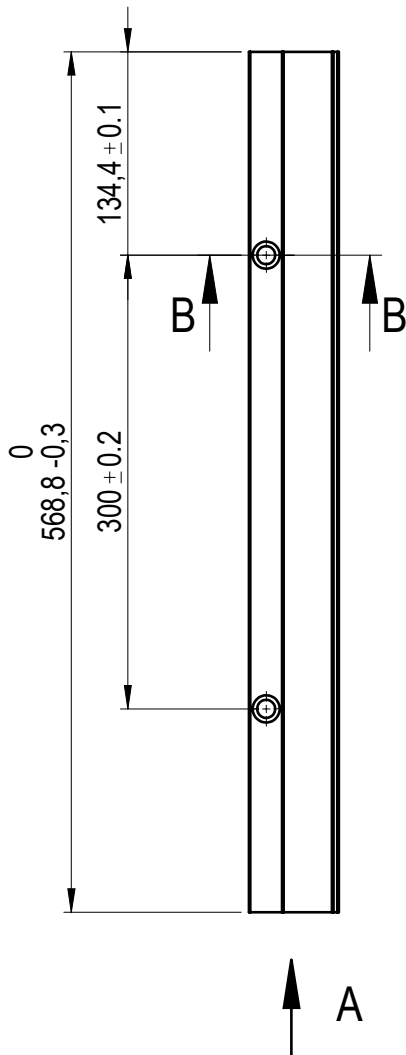
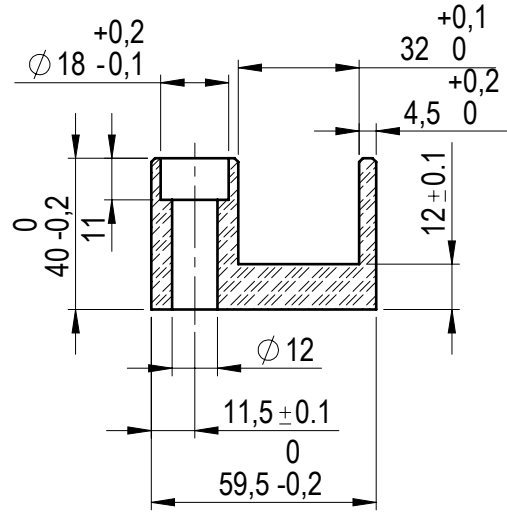


A
SCALE: 1 : 2



B-B
SCALE: 1 : 2



Other dimensions from .STEP file

ENGINEERING COMPANY		MATERIAL	WEIGHT	DEBURR AND BREAK SHARP EDGES		DATE
WEMPS		6082 T6	2.243 Kg	DO NOT SCALE DRAWING		03.04.2025
		SURFACE PROTECTION	MACHINING	THERMAL CUTTING	WELDING	SCALE
		Anodizing ISO 7599:2010	ISO 2768 mK	ISO 9013 441	ISO 13920 BF	FORMAT
		NAME	SIGNATURE	PART NO.		
Designed by	M. Supols			105-21202-02		
Drawn by	M. Supols			DESCRIPTION		SHEET 1/1
Technical ref.				Glass bracket A2		